

# ZTE MF275R

## Quick Start Guide



## **LEGAL INFORMATION**

**Copyright © 2015 ZTE CORPORATION.**

**All rights reserved.**

No part of this publication may be excerpted, reproduced, translated or utilized in any form or by any means, electronic or mechanical, including photocopying and microfilm, without the prior written permission of ZTE Corporation.

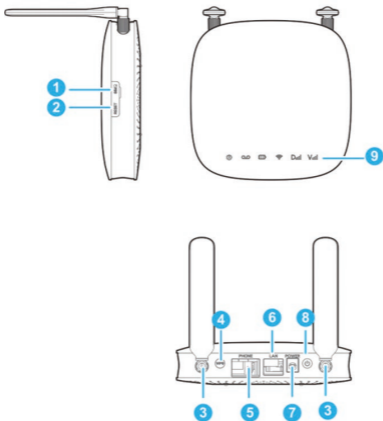
The manual is published by ZTE Corporation. We reserve the right to make modifications on print errors or update specifications without prior notice.

Version No. : R1.0

# Getting to Know Your Device


The device operates on the 4G/LTE networks and supports voice and data service.



## Appearance





|                               |   |
|-------------------------------|---|
| 1. micro-SIM card slot        | Insert your micro-SIM Card.               |
| 2. Reset button               | Reset your device.                        |
| 3. External antenna connector | To attach antenna.                        |
| 4. WPS button                 | To activate the WPS Function.             |
| 5. Phone                      | Standard RJ11 connector for the telephone |
| 6. LAN                        | Ethernet connector to computer            |
| 7. Power socket               | Connector to the external power supply    |
| 8. Power key                  | Turn your device on or off.               |
| 9. Indicators                 | Indicate the status of your device.       |

## Indicators

| Indicator  | State          | Description           |
|--|----------------|-----------------------|
| Power<br>       | Green steady   | AC power present      |
|  | Off            | No AC power           |
| Voicemail<br> | Green blinking | New voicemail waiting |
|  | Off            | No new voicemail      |

|  |                 |  |
|--|-----------------|--|
| Battery<br> | Green steady    | More than 50% discharging<br>(charger not present) |
|  | Green blinking  | More than 50% charging<br>(charger present)        |
|  | Yellow steady   | 20%-50% discharging<br>(charger not present)       |
|  | Yellow blinking | 20%-50% charging (charger present)                 |
|  | Red steady      | Less than 20%<br>discharging(charger not present)  |
|  | Red blinking    | Less than 20% charging<br>(charger present)        |
|  | Off             | Battery not present                                |
| Wi-Fi<br>   | Green steady    | Wi-Fi on   |
|  | Blinking        | Active data connection or<br>FOTA                  |
|  | Off             | Wi-Fi off  |

|  |                 |  |
|--|-----------------|--|
| Network<br>         | Green steady    | Connected to the LTE network   |
|  | Green blinking  | Roaming (LTE network)  |
|  | Yellow steady   | Connected to the 4G network  |
|  | Yellow blinking | Roaming(4G network)  |
|  | Red steady      | No service, limited service, searching for network, no SIM Card or other abnormal status |
| Signal Strength<br> | Green steady    | Strong signal  |
|  | Yellow steady   | Weak signal  |
|  | Red steady      | No service, limited service, or searching for signal                                     |

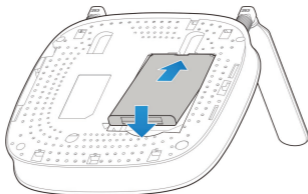
# Installation Guide

## Installing the micro-SIM Card and battery

1. Slide the back cover and remove it



2. Insert the battery.



### 3. Install the micro-SIM Card.



#### **WARNING!**

- Switch off your device before installing or replacing the micro-SIM card. Your device does not support placing or inserting the micro-SIM Card while switched to the ON position.
- Your device only supports micro-SIM Card. To avoid damaging the device, please use the card that comes installed or included in the box of the device.



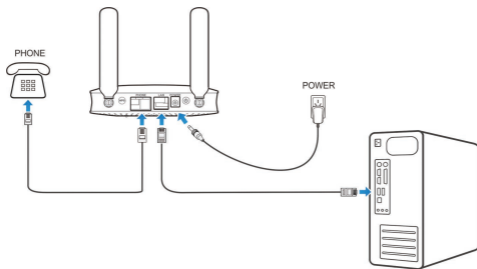
## Before You Begin

You can charge your device by using an adapter:

- Insert the charger lead carefully with the plug arrow facing the bottom of the device.
- Do not use excessive force to insert the plug.
- Make sure the plug is facing the right way, and lined up correctly. Insert it gently.

## Connecting Your Device

Please refer to the following diagram for connecting your computer and land line phone. If you want to use the mobile network to connect to the Internet or use your land line phone, you need to insert your micro-SIM Card first.



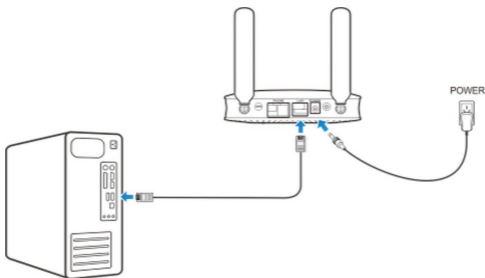
## Switching On Your Device

1. Press and hold the Power Switch to get started. Make sure that the phone is on the hook before you power it on.
2. Wait 1 ~ 2 minutes and then the Power and battery indicator should be lit on.

## Connecting to the Internet

### Via Ethernet

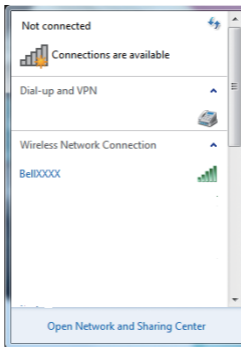
1. Connect the Ethernet cable to the LAN port and your computer.



2. Go to your favorite website on the PC connected to your device via Ethernet cable to confirm your Internet connection.

## Via Wi-Fi

1. Use the Wi-Fi application on a client to search for available wireless networks.



 **NOTE:**

The client will obtain an IP address automatically.

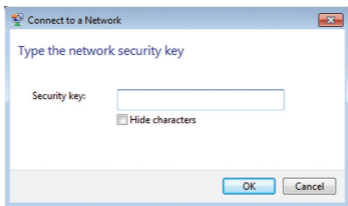
2. Select the SSID of your device, and then click **Connect**.



 **NOTE:**

You can find the default SSID on the label (under the back cover) of your device.

3. Enter the password, and then click **OK**.



**NOTE:**

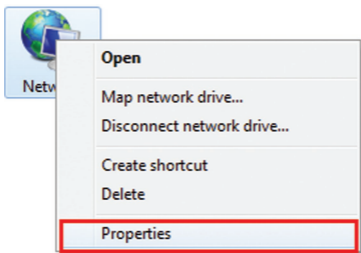
Please refer to the detailed User Guide online at <http://www.bell.ca/wirelessupport>.

4. Wait until the client is connected to your device successfully.
5. Go to your favorite website to confirm your Internet connection.

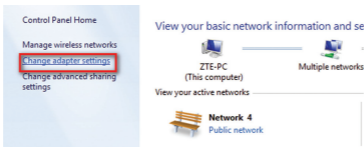
# Configuring Your PC

The following procedure describes how to configure the Internet Protocol in the Windows 7 for your Wi-Fi connection.

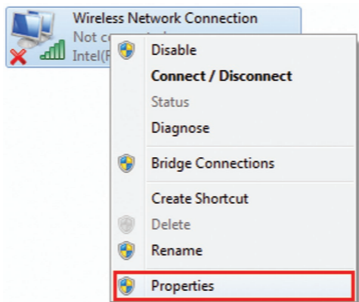
1. Right-click **Network** and select **Properties**.



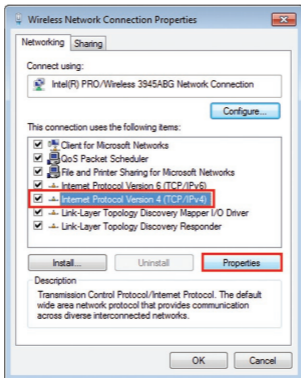
2. Select **Change Adapter Settings**.



3. Right-click **Wireless Network Connection** and select **Properties**.

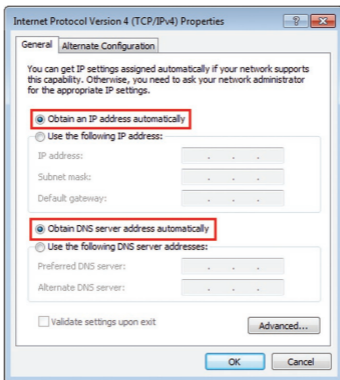


4. Select **Internet Protocol Version 4 (TCP/IPv4)** and click **Properties**.





5. Select **Obtain an IP Address Automatically** and **Obtain DNS Server Address Automatically**, and click **OK**.



For more information, please refer to the detailed User Guide online at <http://www.bell.ca/wirelessupport>.